



DINESH INDUSTRIES

CATALOGUE

www.dinesh-industries.in



About Us



Dinesh Industry, in its 20-year journey, has come to be equated with blowers, fans . our products stand for compact design, competitive price and reduced power consumption. Dinesh Industry started in 1995 by Mr. Dinesh Chand Mahajan with vast experience in design of electrical impeller blowers. At Dinesh Industry, we diagnosed the reasons for such failures and worked on overcoming them. With our technical approach, backed by the wide knowledge and well-rounded experience of promoter, we succeeded in our efforts. The outer rotor induction motor we introduced was not only efficient in cooling the extruder barrel, but also ideal for Indian conditions. Our ingeniously designed blowers were an instant hit with plastic extruder manufacturers.

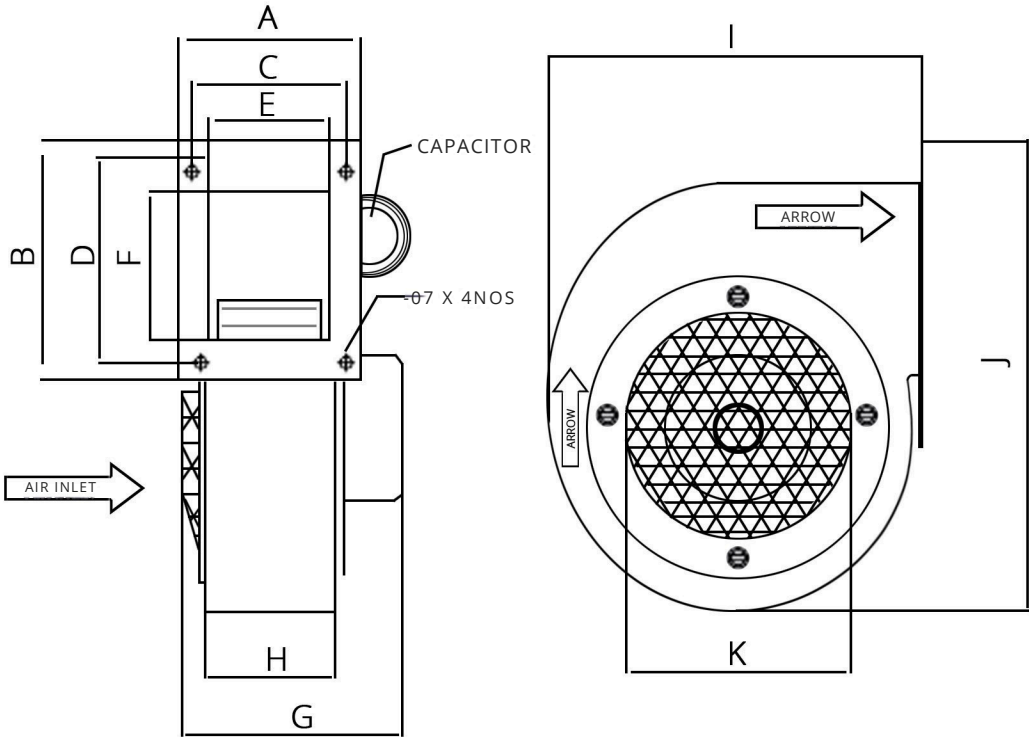
SINGLE INLET SERIES

DC 130 1BT

DC 130 3BT



PRODUCT DRAWING



DIMENSIONS (MM)

TYPE	A	B	C	D	E	F	G	H	I	J	K	L	M	N	O	P	Q	R
DC 130	120	111	100	85	85	73	134	86	178	210	96							

TECHNICAL SPECIFICATION

TYPE	I/P SUPPLY	AMPS (A)	WATTS (W)	RPM	OUTPUT		Static-Pr (mm-wc)	DBA	Cap. µf	Admissible Ambient Temp :	Weight Kg
					(CMH)	(CFM)					
DC 130 PH1	230V, 1Ø, 50Hz	0.4	110	2800	410	241	35	73	2	70	3.5
DC 130 PH3	415V, 3Ø, 50HZ	0.25	110	2800	410	241	35	74	-	70	3.5

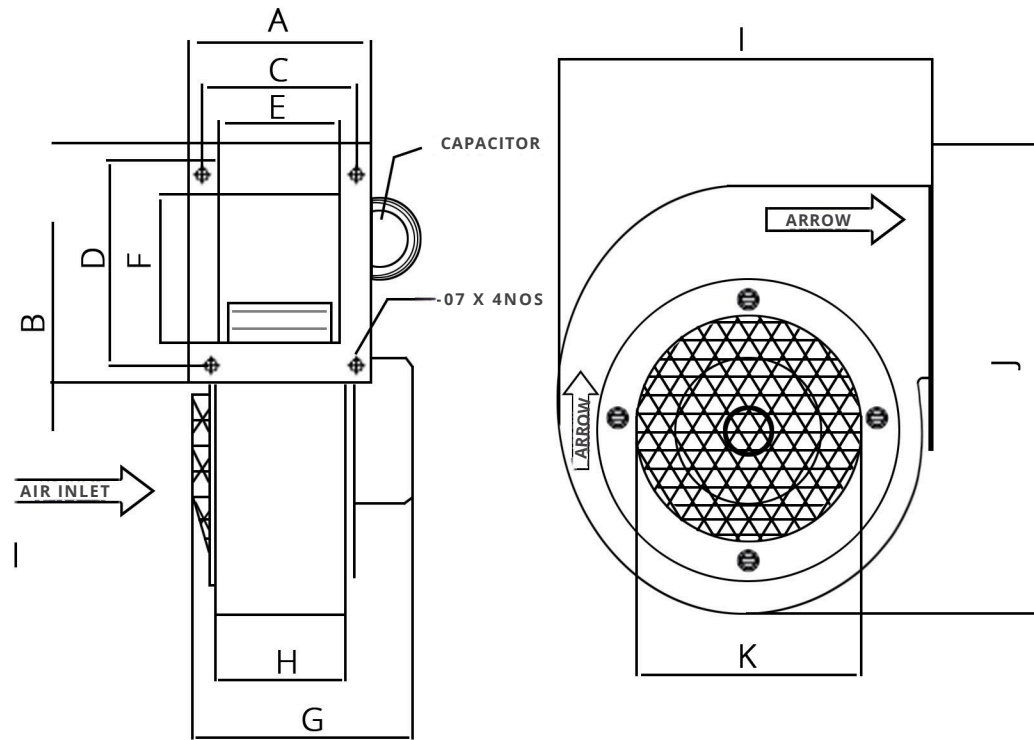
SINGLE INLET SERIES

DC 150 1BT



DC 150 3BT

PRODUCT DRAWING



DIMENSIONS (MM)

TYPE	A	B	C	D	E	F	G	H	I	J	K	L	M	N	O	P	Q	R
DC 150	109	140	90	120	120	90	128	75	225	275	140							

TECHNICAL SPECIFICATION

TYPE	I/P SUPPLY	AMPS (A)	WATTS (W)	RPM	OUTPUT		Static-Pr (mm-wc)	DBA	Cap. μ f	Admissible Ambient Temp :	Weight Kg
					(CMH)	(CFM)					
DC 150 PH1	230V, 10, 50HZ	0.6	170	2600	450	265	40	70	4	70	4.5
DC 150 PH3	415V, 30, 50HZ	0.25	170	2600	450	265	40	70	-	70	4.5

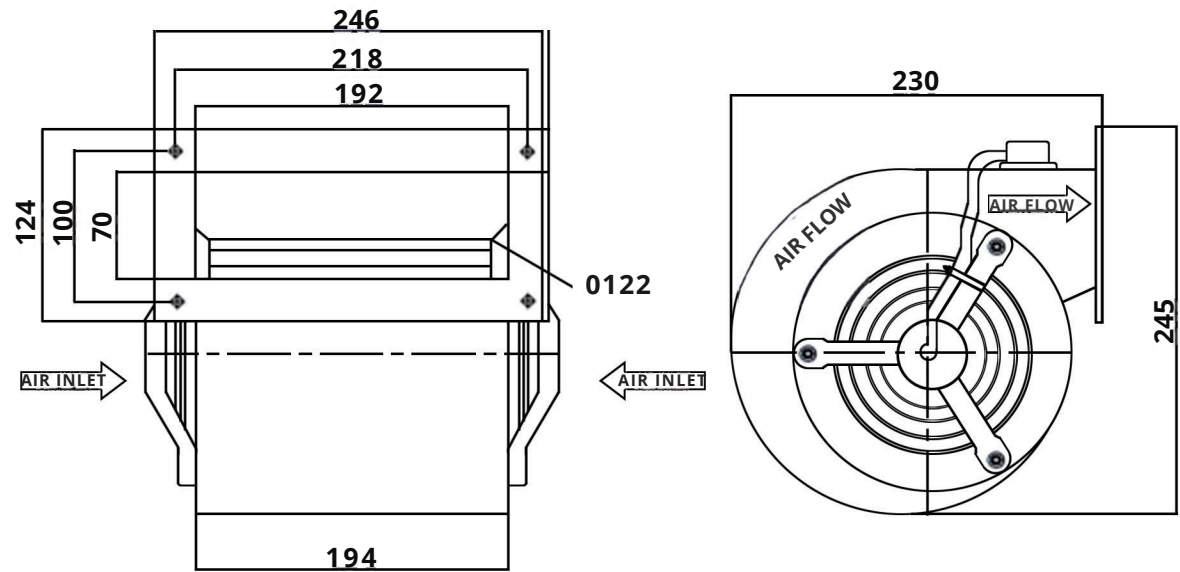
DOUBLE INLET SERIES

DC 150 D 1BT

DC 150 D 3BT



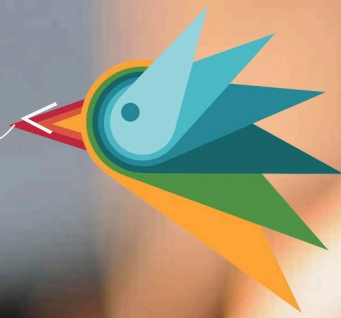
PRODUCT DRAWING



TECHNICAL SPECIFICATION

TYPE	I/P SUPPLY	AMPS (A)	WATTS (W)	RPM	OUTPUT		Static-Pr (mm-wc)	dBA	Cap. μ f	Admissible Ambient Temp :	Weight Kg
					(CMH)	(CFM)					
DC 150 D PH1	230V, 30, 50HZ	2	450	3200	1200	706	50	76	12	60	8.5
DC 150 D PH3	415V, 30, 50HZ	0.75	450	3200	1200	706	50	76	12	60	8.5

Contact Us



DINESH INDUSTRIES

Address: C-278 A, Tagore Garden Extension,
Near Rajdhani Market, New Delhi-110027

Phone: +91-9811383860, +91-9971936513

Email: dcmahajan60@gmail.com

Website: www.dinesh-industries.in